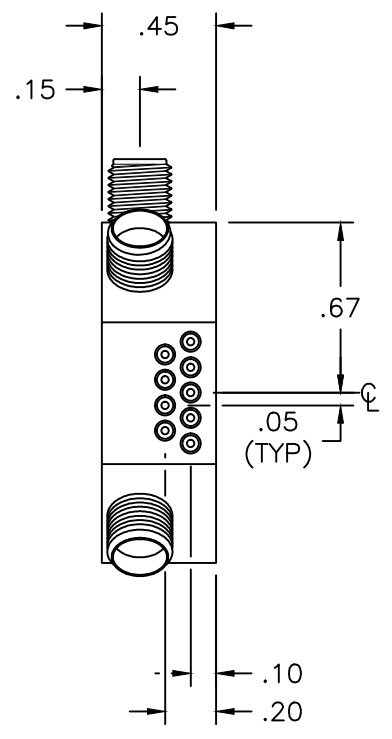
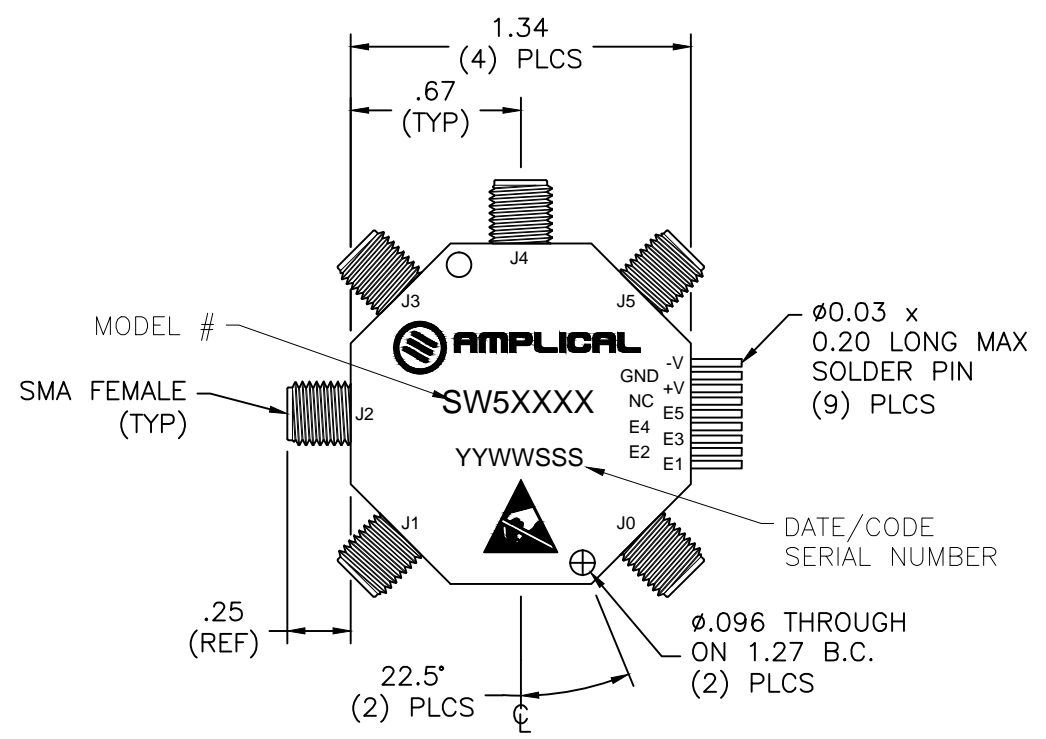



REVISIONS				
ZONE	LTR	DESCRIPTION	DATE	APPROVED
-	-	-	-	-



VIEW NOT TO SCALE

- NOTES:
- 1-FINISH: ALBALLOY
  - 2-CONNECTOR: SMA FEMALE PER MIL-PRF-39012, PASSIVATED STAINLESS STEEL.
  - 3-SOLDER PIN FINISH: GOLD PLATE PER MIL-PRF-45204.
  - 4-JO IS THE COMMON PORT.
  - 5-REFER TO INDIVIDUAL PRODUCT INFORMATION DATA SHEET FOR DETAIL SPECIFICATIONS.

<p>UNLESS OTHERWISE SPECIFIED  DIMENSIONS ARE IN INCHES  TOLERANCES: ANGLES ± 1°  DECIMALS: .XX=±.XX .XXX=±.XXX  CONCENTRICITY: .004 T.I.R.  SURFACE FINISH 63√  BREAK ALL EDGES</p> <p>PROPRIETARY DOCUMENT  THIS DRAWING AND/OR INFORMATION OR  SUBJECT MATTER CONTAINED HEREIN,  SHALL NOT BE USED, COPIED OR DISSEM-  INATED IN ANY MANNER, OR FOR ANY  PURPOSE, OTHER THAN AS EXPRESSLY  STATED BY AMPLICAL CORPORATION.</p>	SIGNED	DATE			20 TROY ROAD WHIPPANY, NJ 07981 973-386-1119 FAX 1-973-386-1131		
	DRAWN BY	AAW					5/11/15
	CHECKED BY			TITLE SW5-1 SWITCH OUTLINE		DRAWING NO OL-SW5-1	
	DSGN ENG APPROVAL	RG	5/11/15				
	PROC ENG APPROVAL	EG	5/11/15	SIZE	CODE IDENT NO	REV	
Q.A. APPROVAL	AB	5/11/15	B	4A1K5	-		
MFG MGR APPROVAL	JH	5/11/15	SCALE	1.5/1	FILE NO	FILE	
MODEL NUMBER	MODEL		SHEET	X	OF	X	